

iTV GOGGLES™

A Revolution in Personal Entertainment



FPView 3DHD

User Manual

CONGRATULATIONS ON YOUR NEW ITVGOGGLES.

You are about to experience the latest
in personal entertainment technology.

Before using your new device, please read this manual carefully. It includes important safety information and instructions on how to correctly operate your goggles to avoid unintentional mishaps or damages.

IMPORTANT NOTES

DO NOT use this device over the range of permitted temperatures (noted in the technical details.)

DO NOT drop, strike, or cause any portion of the product to be struck or shaken aggressively. Such actions may damage the product and will void your warranty.

DO NOT use DC power adapters.

DO NOT disassemble the unit UNDER ANY CIRCUMSTANCES.

It is normal for the power adapter and the goggles to become warm during use and charging. However do not use the goggles for extended periods of time, and allow a cool-down period every 30-60 minutes.

Do not use the goggles near water, high humidity or other potentially hazardous environments for electronics.

Take great care when connecting, disconnecting any of the plugs.

DO NOT put any restraint on the cables, connections and adapters.

Virtual screen size is an approximate estimation, which takes into account virtual distance and virtual viewing angle.

Since this device will take over your audio/visual senses, please do not use in any potentially dangerous or risky environments.

Stay seated while using the iTVGoggles.

TABLE OF CONTENT

ONLINE RESOURCES	6	TROUBLESHOOTING	20
IN THE BOX	7	PRODUCT REGISTRATION	22
FEATURES OVERVIEW	8	WARRANTY INFORMATION	23
SUPPORTED RESOLUTIONS	9	SPREAD THE WORD. GET AWARDED.	24
TECHNICAL SPECIFICATIONS	10		
THE ANATOMY	11		
CUSTOMISABLE ADJUSTMENTS	12		
CONNECTING TO COMPUTER/LAPTOP	14		
CONNECTING TO TABLETS/SMARTPHONES	16		
3D MODE	19		

ONLINE RESOURCES



[HTTP://ITVGOGGLES.COM](http://ITVGOGGLES.COM)
[HTTP://SUPPORT.ITVGOGGLES.COM](http://SUPPORT.ITVGOGGLES.COM)



[HTTP://FACEBOOK.COM/ITVGOGGLES](http://FACEBOOK.COM/ITVGOGGLES)



[HTTP://TWITTER.COM/ITVGOGGLES](http://TWITTER.COM/ITVGOGGLES)



[HTTP://YOUTUBE.COM/ITVGOGGLES](http://YOUTUBE.COM/ITVGOGGLES)

IN THE BOX

FPView 3DHD Unit
Light Shield
Deluxe Carrying case
Cleaning Cloth
Stereo Earbuds
Male-To-Male HDMI Adapter
Mini/Micro HDMI Adapter

FEATURES OVERVIEW

132"+ Virtual Screen Display (at approx. 10'-12' virtual distance)
 16:9 Wide-Screen
 3D Support for Side-by-Side 3D movies & videos
 HD Input Resolution support; up to 1920x1080 @60hrz
 High Definition LCD Display - 1280x720 Display Resolution per eye
 Radiation-Free LCD panels
 Hi-fi Stereo Sound
 Weight: under 100g (3.5oz) w/o wires
 HDMI Input
 Mini-HDMI, Micro-HDMI and MHL Adapters included

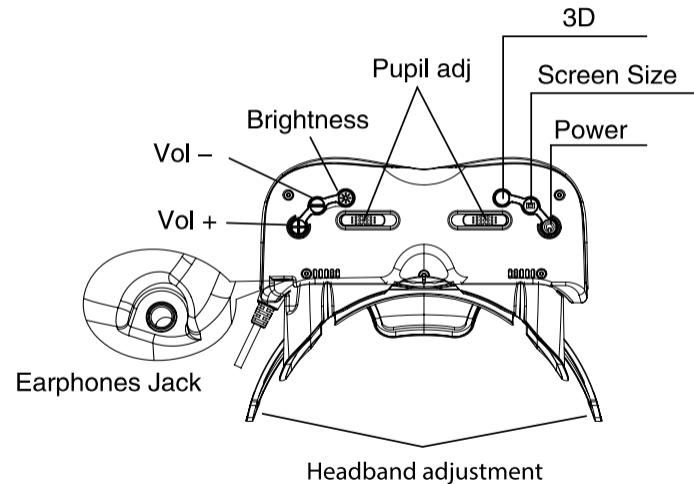
SUPPORTED RESOLUTIONS:

640x480	60HZ	1280x800	60HZ
720x480	60HZ	1280x1024	60HZ
848x480	60HZ	1360x768	60HZ
800x600	60HZ	1440x900	60HZ
1024x768	60HZ	1600x900	60HZ
1280x720	60HZ	1600x1200	60HZ
1280x768	60HZ	1920x1080	60HZ

TECHNICAL SPECIFICATIONS

- DisplayTechnology: TFT LCD
- Virtual Display Size: 132" (at approximately 10'-12' virtual distance)
- Resolution: 720HD
- Aspect Ratio: 16:9 Wide Screen
- Color depth: 24-bit color for more than 16.7 million;
- Video Input: HDMI
- Audio: Hi-Fi Stereo
- 3D Format: Side by Side
- Net Weight: 4oz (120g)
- Power consumption: <1.1w
- Working temperature: -5c~35c
- Storage temperature: -5c~50c
- Accessories: Hard shell carrying case, pouch, light-shield
- Optional Accessories: Numerous adapters, WIFI display dongle and more;

THE ANATOMY



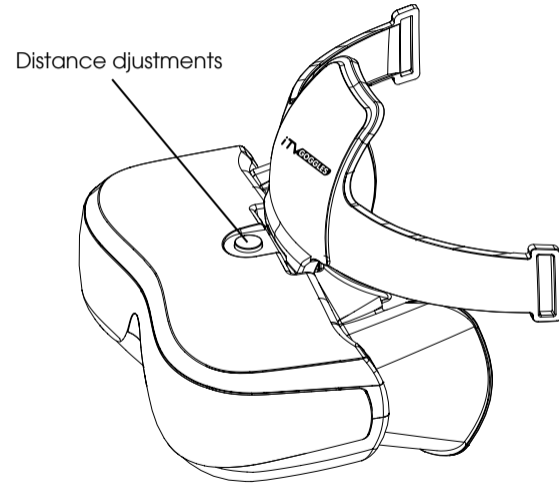
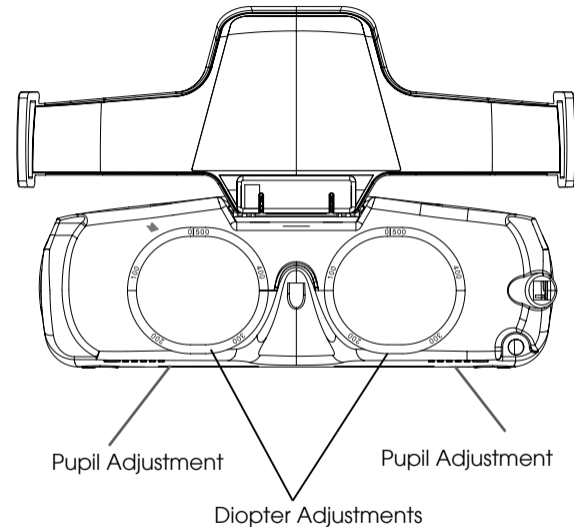
ADJUSTMENTS

FPView 3DHD comes with the freedom of several customizable adjustments to help deliver the best viewing experience for each individual.

Diapter: Turn the ring around each lens until it matches your prescription, or to the best position for your eyes.

You can also move the lenses from side to side using the "Pupil Adjustment" slider bars under the unit.

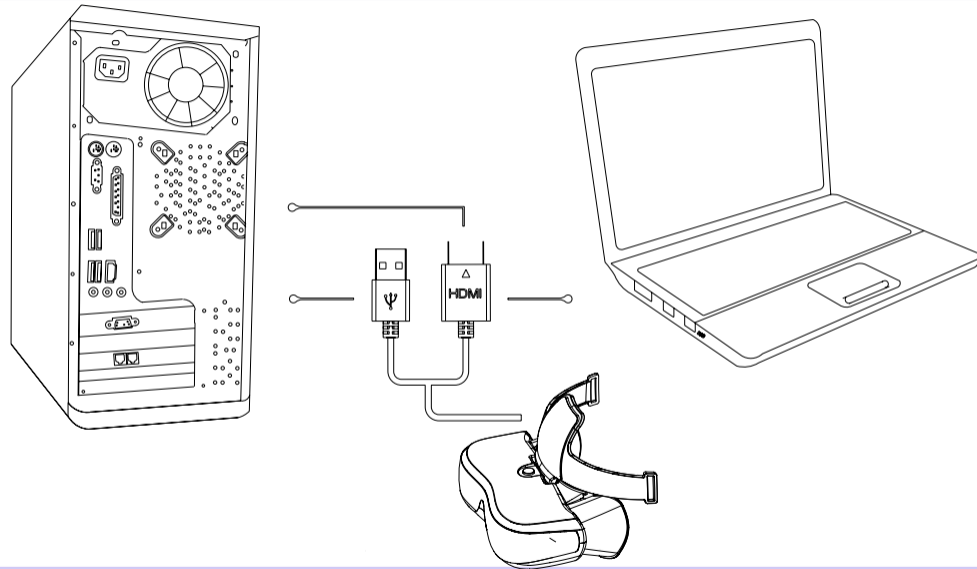
This combination, along with adjusting the distance of the goggles from your eyes, using the Headband Distance Adjust Button, can lead to the most ideal experience for each user.



CONNECTING TO COMPUTER/LAPTOP

- 1 - Make sure your screen resolution is set to a supported resolution (page 9)
 - 2 - Connect the HDMI cable to the HDMI port on your computer
 - 3 - Turn on the Goggles
- Optional: Connect the USB plug to a USB port on your computer for power.

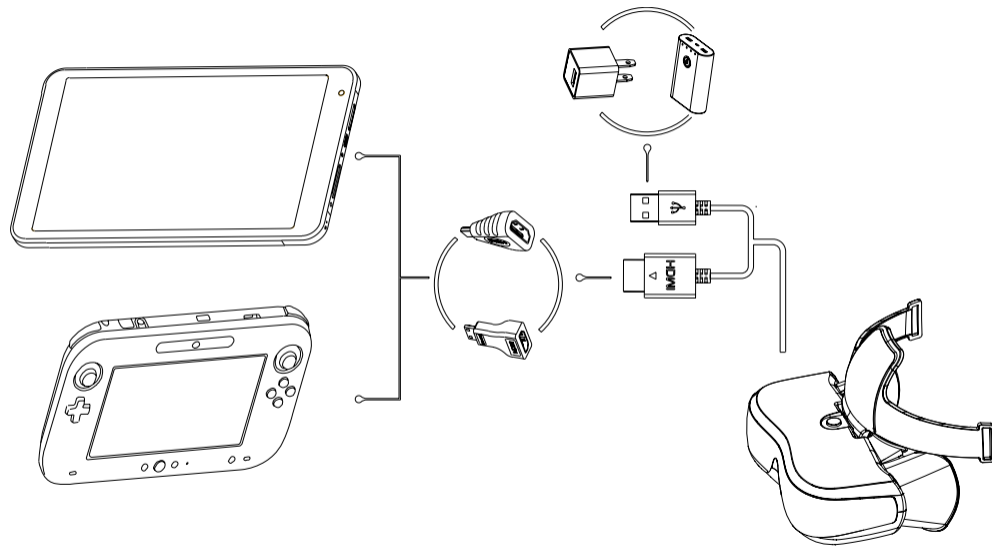
NOTE: SOME COMPUTERS MAY NOT HAVE HDMI OUTPUT. IN THIS CASE YOU WOULD REQUIRE THE PROPER HDMI ADAPTER. FEEL FREE TO CONTACT US IF YOU NEED ASSISTANCE IN CHOOSING THE RIGHT ADAPTER.



TABLETS, SMARTPHONES, CAMERAS, GAMING CONSOLES

- 1- Determine the type of DISPLAY/VIDEO OUT on your device (i.e. Mini-HDMI, Micro HDMI, MHL, Lightning etc...)
- 2 - Connect the Goggles to your device via the HDMI connection end (using the proper adapter if needed)
- 3 - Connect the USB end to a USB Power source such as a wall adapter, computer or a portable battery bank
- 4 - Turn on your device or enable display if required, then the Goggles.

NOTE: You may need to adjust the resolution and/or other settings on your device the supported specs by the goggles.
Some devices such as iPhones/iPads will require a Lightning Adapter (not included).
Feel free to contact our Support team if you need assistance.

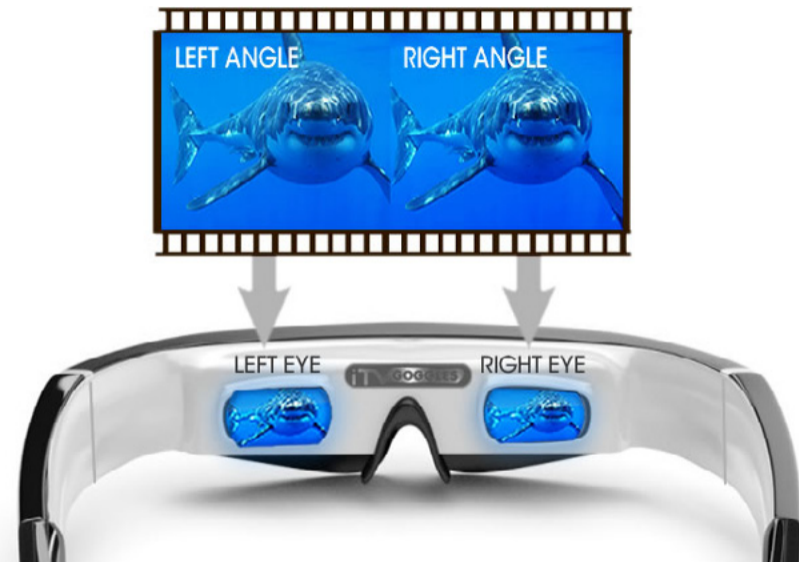


3D MODE

FPView 3DHD supports Side-by-Side 3D content.

While watching a 3D video, movie or feed, press the switch on the 3D button located at the bottom the goggles.

This mode will not work on regular 2D content. If you are seeing overlapping images, the chances are you have to toggle this option.





TROUBLESHOOTING

The goggles do not turn on

- Please make sure your USB power source is working and has sufficient power output.

No Sound is coming from the headphones

- Make sure the earplugs are connected firmly
- Check if the volume on your device is turned down or on mute
- Make sure your device is set to output audio via HDMI
- If using any adapters, make sure they support audio

No video signal detected

- Check all the connections and cables
- Make sure you are using the proper adapters and connectors
- Check the resolution settings on your device
- Make sure your external device (i.e. Smartphone or PC) is setup correctly to output video

Picture appears blurry, out of focus, or distorted

- Follow instructions for adjusting the lenses to best fit your vision (See "ADJUSTMENTS")
- Please adjust the distance the goggles are from your eyes on your nose
- Adjust the pivot swivel point on the front of the goggles to point towards your eyes
- Make sure you are in the correct mode (2D or 3D)

I see two images overlapping

- Make sure you are in the correct mode (2D or 3D). Toggle the 2D/3D button.

For more assistance, tips and updates please visit our support center :

Support.iTVGoggles.com



PRODUCT REGISTRATION

REGISTER ONLINE



We have made registering your product super easy.
Simply log on to <http://Support.iTVGoggles.com> to register your unit.

WARRANTY INFORMATION

This device carries a 1-year limited manufacture warranty. This coverage starts from the day of purchase, and requires your product to be registered. The warranty is not transferable. This covers any defects clearly related to manufacturing procedures. Due to the nature of this product it is highly recommended to exercise care while handling and carrying this product. Physical damages, wear-and-tear, water damage, or any other mishaps are not covered under the manufacture's warranty. Tampering with, attempting to open, interfering with the software or mishandling of this product will automatically void this warranty. DO NOT attempt to open the casing in any circumstances.

You may be able to purchase additional protection from your vendor. If you feel like your unit has a manufacture's defect please contact us or your vendor immediately. Other restrictions may apply, and terms are subject to change. Please visit iTVGoggles.com for more information.

LEARN ABOUT OUR AFFILIATE PROGRAM

EARN UP TO

10% PER SALE

Spread the word. Get awarded.

- 1 - Sign up and become an affiliate
- 2 - Talk about us on your Facebook page, blog, website, emails, tweets and etc....
- 3 - Get commission for each sale coming from your referrals!
(paid in USD, via PayPal)

For terms and more information please visit itvgoggles.com



A Revolution in Personal Entertainment



REGISTER YOUR PRODUCT AND GET SUPPORT ONLINE

Support.iTVGoggles.com